



## Malmsten Racing Lanes



Official  
Supplier  
Since  
2009



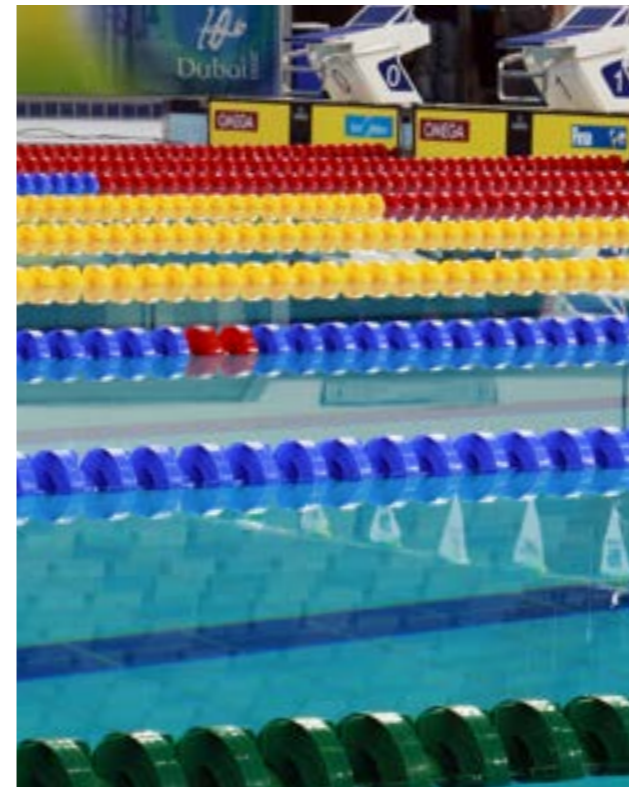
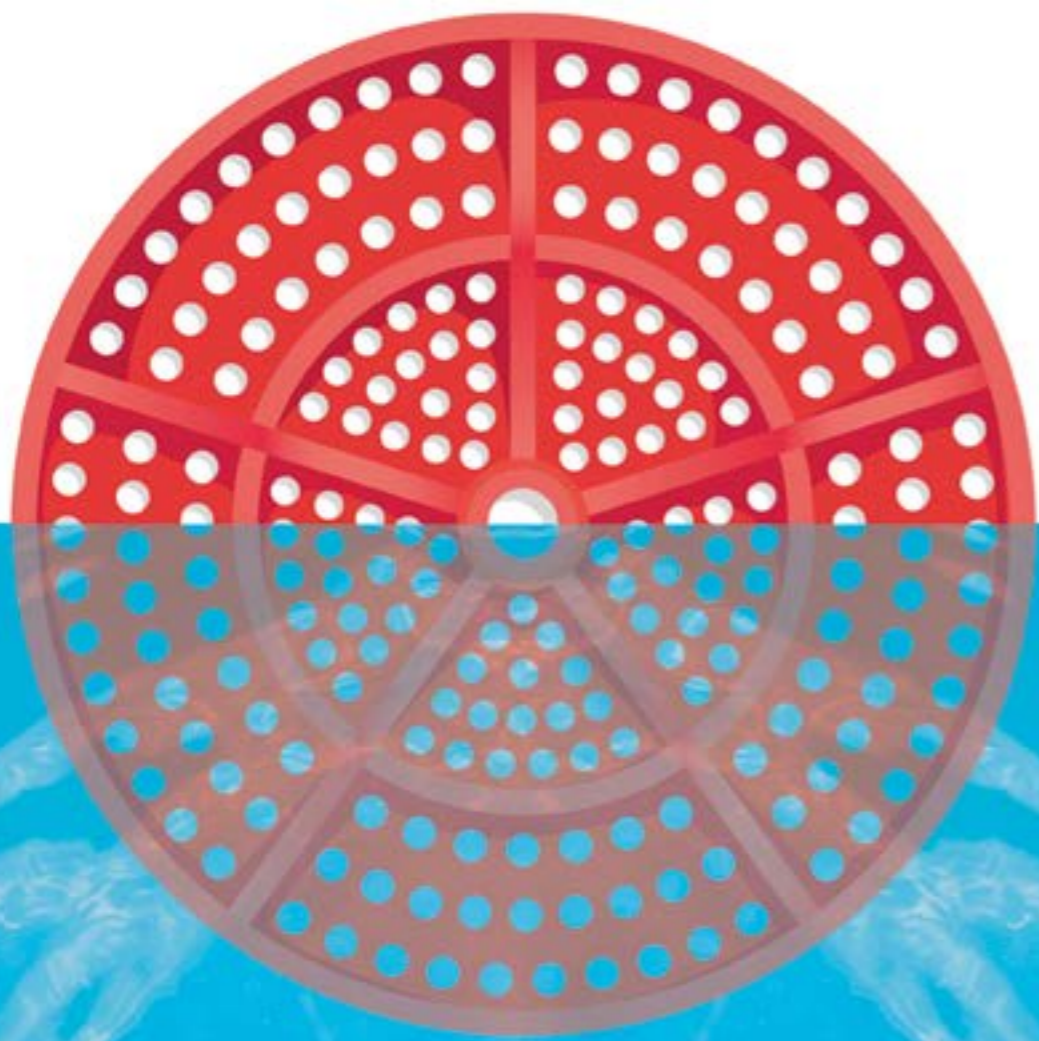
# "Selected when it counts"

The Malmsten Racing Lanes have been selected at the following major championships:

2012 Olympic Games - London  
2012 FINA World Swimming Championships (25m) – Istanbul  
2012 European Championships S.C. Chartres  
2012 European Championships, Debrecen  
2012 European WP Championships, Eindhoven  
2011 European Championships S.C. Szczecin  
2011 Arab Games, Doha  
2011 FINA World Championships – Shanghai  
2011 Final Four WP, Rome  
2011 FINA Junior World Championships, Peru  
2011 European Youth Olympic Games, Trabzon  
2011 University Games, Shenzhen  
2010 FINA World Swimming Championships (25m) – Dubai  
2010 European Championships S.C. – Eindhoven  
2010 Asian Games – Guangzhou  
2010 Commonwealth Games – Delhi  
2010 European WP Championships – Zagreb  
2010 World Masters Championships – Göteborg  
2010 European Championships – Budapest  
2010 Final Four WP – Naples  
2009 European Championships S.C. – Istanbul  
2009 FINA World Championships – Rome  
2008 Olympic Games – Beijing  
2008 Open de Paris  
2008 European Championships S.C. - Rijeka  
2008 European Championships – Eindhoven  
2007 European Championships S.C. – Debrecen  
2007 Open de Paris  
2006 Asian Games – Doha  
2006 European Championships S.C. – Helsinki  
2006 European Championships – Budapest  
2005 West Asian Games – Doha  
2005 European Championships S.C. - Trieste  
2005 FINA World Championships – Montreal  
2004 Olympic Games – Athens  
2004 European Championships S.C. – Vienna  
2004 European Championships – Madrid  
2003 European Championships S.C. – Dublin  
2002 European Championships S.C. – Riesa  
2002 European Championships - Berlin  
2002 FINA World Swimming Championships (25m) – Moscow  
2001 European Championships S.C. – Antwerpen  
2000 European Championships S.C. - Valencia  
2000 FINA World Swimming Championships (25m) – Athens  
1999 European Championships S.C. – Lisbon  
1999 European Championships - Istanbul  
1999 FINA World Swimming Championships (25m) – Hong Kong  
1998 FINA World Championships – Perth  
1997 European Championships - Sevilla  
1997 FINA World Swimming Championships (25m) – Gothenburg  
1996 European Championships S.C. – Rostock  
1995 European Championships – Vienna  
1994 European Championships S.C. – Stavanger  
1993 European Championships S.C. – Gateshead  
1993 European Championships – Sheffield  
1992 European Championships S.C. - Espoo  
1992 Olympic Games - Barcelona  
1991 European Championships S.C. – Gelsenkirchen  
1989 European Championships - Bonn  
1988 Olympic Games - Seoul  
1987 European Championships - Strasbourg  
1986 FINA World Championships – Madrid  
1985 European Championships - Sofia  
1984 Olympic Games – Los Angeles  
1982 FINA World Championships – Guayaquil  
1981 European Championships - Split  
1980 Olympic Games - Moscow  
1979 FINA Cup - Tokyo  
1978 FINA World Championships – Berlin  
1977 European Championships - Jönköping  
1976 Olympic Games - Montreal



Beijing 2008



The FINA Colours - according to the FINA handbook:

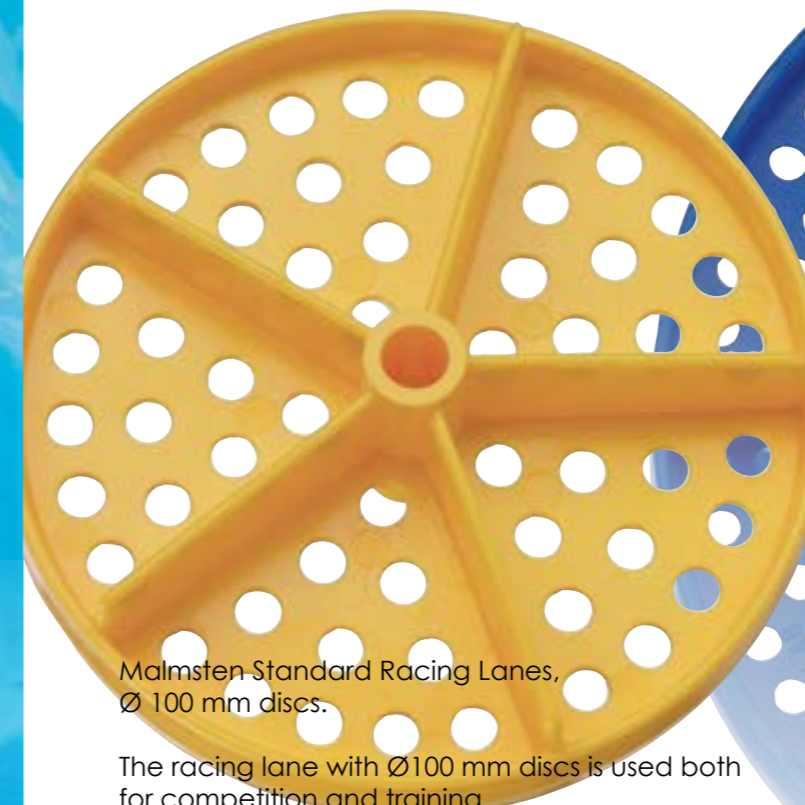
**For 8 lanes pool - 9 racing lanes:**  
 Two (2) green for lanes 1 and 8.  
 Four (4) blue for lanes 2, 3, 6 and 7.  
 Three (3) yellow for lanes 4 and 5.

**For 10 lanes pool - 11 racing lanes:**  
 Two (2) green for lanes 0 and 9.  
 Six (6) blue for lanes 1, 2, 3, 6, 7 and 8.  
 Three (3) yellow for lanes 4 and 5.

## The Difference

Malmsten Racing Lane's patented flow-through design controls water turbulence by allowing wave energy to be dispersed along the length of the wave. Each Malmsten Racing Lane consists of a series of 100 mm and 150 mm polyethylene discs and donuts strung on a stainless steel cable. Each disc is designed to rotate independently of the others. This allows the wave energy to be absorbed and dispersed within the lane. This wave reduction optimizes pool conditions for training and competition.

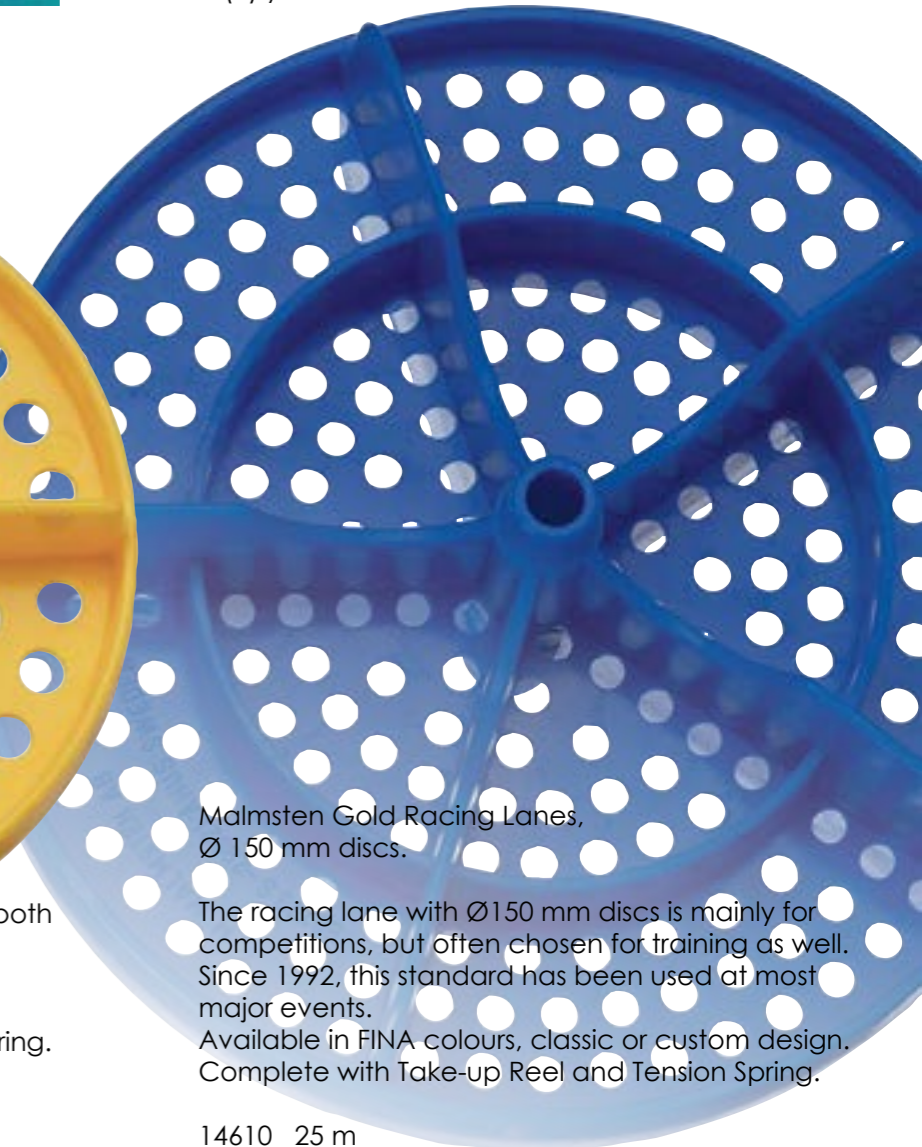
Malmsten has been the leader in racing lane technology from the start. Known worldwide as the King of the Lane, Malmsten's history begins at the 1976 Summer Olympics with the introduction of the "Wave Killer". In 1992, the Malmsten "Gold" Technology was introduced at the Summer Olympics in Barcelona, Spain. Since then Malmsten has kept its place as the leader and is a must for your swimming and water sports facilities.



Malmsten Standard Racing Lanes,  
 Ø 100 mm discs.

The racing lane with Ø100 mm discs is used both for competition and training. Available in FINA colours, classic or custom design. Complete with Take-up Reel and Tension Spring.

- 14010 25 m
- 14030 50 m
- 14040 Special lengths



Malmsten Gold Racing Lanes,  
 Ø 150 mm discs.

The racing lane with Ø150 mm discs is mainly for competitions, but often chosen for training as well. Since 1992, this standard has been used at most major events. Available in FINA colours, classic or custom design. Complete with Take-up Reel and Tension Spring.

- 14610 25 m
- 14630 50 m
- 14640 Special lengths



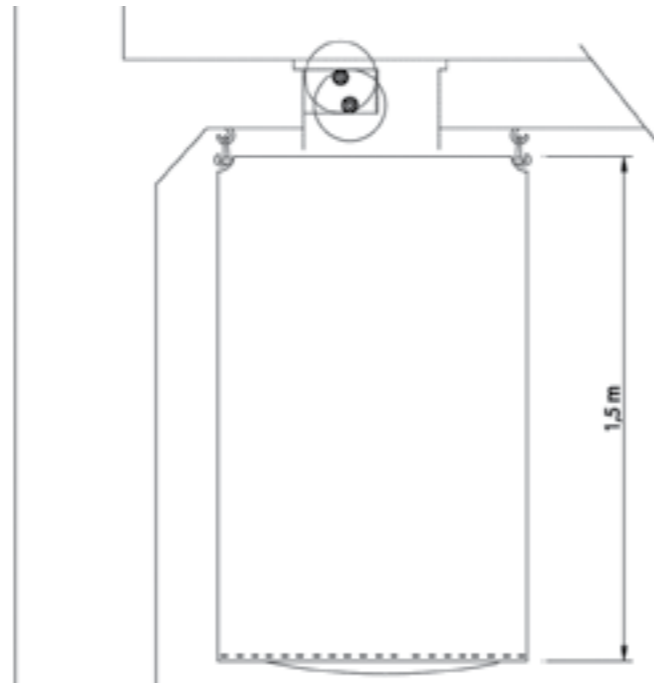
Storage Trolley Malmsten -stainless steel\* – Partly powder coated. 4 stainless steel swivel castors (2 lockable).  
 14210 Capacity: 150 m Malmsten Standard Racing Lanes Ø 100 mm Weight: 50 kg, Max load: 260 kg,  
 Measurement: 1910 x 1250 x 1410 mm  
 14211 Capacity: 100 m Malmsten Gold Racing Lanes Ø 150 mm Weight 55 kg, Max load: 267 kg,  
 Measurement 2460 x 1250 x 1410 mm

\* EN 1.4404, AISI 316

Storage under pool deck



Floor Cover Plate with protective roll mechanism. To be used for storage of the Malmsten Lanes under the pool deck, in the basement.  
 A stainless steel\* Floor Plate Ø 350 mm, with an anti-slip cover.  
 Suitable for all Malmsten Lane ropes, the Standard Ø 100 mm and Gold Ø 150 mm.  
 11642 Floor Cover Plate with Roller



Storage Bags in blue reinforced PVC, equipped with reinforced openings for hanging and drainage  
 11650 Bag for Malmsten Standard Racing Lane 25 m, Ø 100 mm  
 11660 Bag for Malmsten Standard Racing Lane 50 m, Ø 100 mm  
 11670 Bag for Malmsten Gold Racing Lanes 25 m, Ø 150 mm  
 11680 Bag for Malmsten Gold Racing Lane 50 m, Ø 150 mm



14170 Take-up Reel with 'S'Hook, stainless steel\*, and Plastic Cover



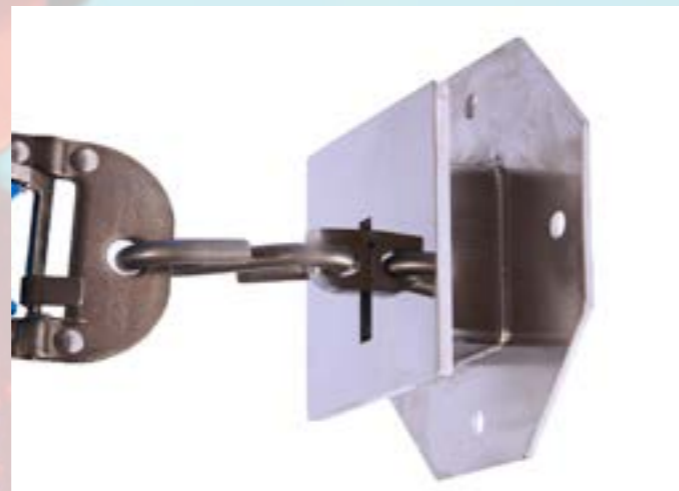
Malmsten Ratchet Wrench  
 Ratchet Wrench to loosen or tighten the Malmsten Lanes. This is the only tool to be used with the Malmsten Take-up-Reel. A Ratchet Wrench is always included with the purchase of the Malmsten Lanes.  
 Important! Use only the original Malmsten Ratchet Wrench - note that other tools might damage the Take-up Reel.  
 Six sided tightening mechanism, length: 26 cm, weight: 0,256 kg,  
 14100 Ratchet Wrench



Spring Cover  
14181 Spring Cover



False Start Mechanism  
For Standard Ø 40 mm tubing  
1816004 False Start Mechanism



Wall Anchor  
Face plate 95x95 mm, back plate 140x140 mm,  
depth 34 mm. Stainless steel\*. To be bolted onto  
the pool wall  
14153 Wall Anchor



Lane Slider  
Our lane slider is made to protect the pool edge and  
the lane from daily wear-and-tear.  
It can easily be installed and moved around the  
pool deck and is made to fit both the 100 – and 150  
mm lanes.  
14142 Lane Slider



Lane Post  
Ø 40 mm, height: 165 mm, stainless steel\*. Fits our  
Floor Anchors  
11580 – Lane Post

Floor Anchor  
Ø 40 mm, size: 100x95x95 mm, stainless steel\*  
11282 Floor Anchor levelled  
11281 Floor Anchor 8°



CORNEL MARCULESCU  
EXECUTIVE DIRECTOR

To Whom It May Concern

Lausanne, 3<sup>rd</sup> December 2012

Dear Sir / Madame,

**Malmsten AB – Official FINA Supplier**

**FINA** (*Fédération Internationale de Natation*) is recognised as the sole worldwide governing body for the Aquatic Sports of Swimming, Diving, Synchronized Swimming, Water Polo and Open Water Swimming by the International Olympic Committee.

FINA is pleased to confirm the appointment of **Malmsten AB** as an exclusive Official FINA Supplier for the period 2013–2016.

FINA has chosen Malmsten AB as an Official FINA Supplier, confident of the quality their equipment, which meet all of FINA's Rules & Regulations and the expectations of the competitors and coaches participating in FINA competitions and, on Malmsten AB's ability to deliver the highest quality competition equipment to aquatics facilities worldwide.

Malmsten AB has been the exclusive Official FINA Supplier of competition equipment for both the competition pools and the warm-up pools for all FINA World Championships and FINA World Swimming Championships (25m) events, as well as the Olympic Games, London 2012, and all other FINA Competitions since 2009 and up to and including 2016.

FINA also requires the use of Malmsten AB equipment for the Aquatics events of the Olympic Games.

Should you require any further information, then please do not hesitate to contact the FINA office.

With kind regards,

**Cornel Marculescu**  
FINA Executive Director

- PRESIDENT  
DR. JULIO MAGLIONE  
Uruguay
- HONORARY SECRETARY  
PAOLO BARELLI  
Italy
- HONORARY TREASURER  
PIPAT RANANGVAIT  
Thailand
- VICE PRESIDENTS  
HUSAIN AL MUSALLAM  
Kuwait  
NORY KRUCHTEN  
Luxembourg  
DENNIS MILLER  
Fiji  
DALE NEUBURGER  
United States of America  
SAM RAMSAMY  
South Africa
- MEMBERS  
GENNADY ALESHIN  
Russia  
DIMITRIS DIATHESPOULOS  
Greece  
MATTHEW DUNN  
Australia  
BEN EKUMBO  
Kenya  
FARID ELALLAM  
Morocco  
PAULO FRISCHKNECHT  
Portugal  
TAMAS GYARFAS  
Hungary  
EUGENIO MARTINEZ  
Cuba  
ORBAN MENDOZA  
Puerto Rico  
DR. MARGO MOUNTJOY  
Canada  
COARACY NUNES FILHO  
Brazil  
KAZUO SANDO  
Japan  
CHIEF OLATOKUNBO THOMAS  
Nigeria  
GIUPING ZHANG  
China
- HONORARY LIFE PRESIDENT  
MUSTAPHA LARFAOUI  
Algeria
- IMMEDIATE PAST HONORARY  
SECRETARY  
BARTOLO CONSOLO  
Switzerland
- EXECUTIVE DIRECTOR  
CORNEL MARCULESCU



 **Malmsten**

Malmsten AB, Box 73, 296 21 ÅHUS, Sweden  
Tel: +46 (0)44-247150 Fax: +46 (0)44-247435  
info@malmsten.com www.malmsten.com